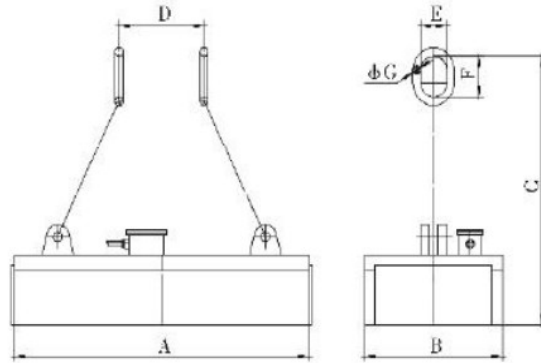


M84系列：本系列產品是專為吊運中厚鋼板而設計的。考慮到長鋼板吊運可能出現彎曲變形而影響安全搬運，所以在吊運長尺寸鋼板時請使用多臺聯用。

M84Series: This series of products are specially designed for lifting and transporting steel plates of medium-thickness. Considering possible bending and deforming may affect safe transportation, when lifting long steel plates, please use the combination of several electromagnets.



M84主要技術參數 Main technical data for M84

DC-220V, TD-50%

型號 Model	外形尺寸 overall dimension (mm)							品質 Mass (kg)	功率 Power (kW)	可搬運寬度 Lifting width (mm)				
	A	B	C	D	E	F	G			δ 6	δ 8	δ 10	δ 12	δ 16
M84-9030T	900	300	900	300	110	180	32	185	0.41	2300	2700	3000	3200	3600
M84-10535T	1050	350	960	400	110	180	32	330	0.9	2650	3150	3350	3550	4050
M84-14035T	1400	350	940	500	110	180	32	430	1.2	3000	3500	3700	3900	4400
M84-17535T	1750	350	940	700	110	180	32	510	1.5	3350	3850	4050	4250	4750
M84-21035T	2100	350	920	800	110	180	32	600	1.8	3850	4200	4400	4600	5100
M84-24535T	2450	350	980	900	110	180	32	720	2.5	4200	4550	4750	4950	5450
M84-12040L	1200	400	1017	400	110	180	32	550	3	3000	3500	3700	4000	4500
M84-16040L	1600	400	996	700	110	180	32	690	3.2	3400	3900	4100	4400	4900
M84-20040L	2000	400	970	800	110	180	32	840	5	3800	4300	4500	4800	5300
M84-24040L	2400	400	890	700	110	180	32	910	6	4200	4700	4900	5200	5700
M84-13042L/G	1260	420	1040	500	110	180	32	650	2.4	3060	3560	3760	4060	4560
M84-17042L/G	1680	420	1045	700	110	180	32	850	3.7	3480	3980	4180	4480	4980
M84-21042L/G	2100	420	1010	800	110	180	32	1050	4	3900	4400	4600	4900	5400
M84-25042L/G	2520	420	1050	900	110	180	32	1250	4.8	4320	4820	5020	5320	5820

保證搬運張數舉例 Example for guaranteed transporting pieces

鋼板寬度 width of steel plate	1500 (mm)							2500 (mm)							4000 (mm)						
	δ 6	δ 8	δ 10	δ 12	δ 16	δ 20	δ 32	δ 6	δ 8	δ 10	δ 12	δ 16	δ 20	δ 32	δ 6	δ 8	δ 10	δ 12	δ 16	δ 20	δ 32
M84-10535T	3	3	3	3	2	2	1	1	1	1	1	1	1	1	—	—	—	—	1	1	1
M84-14035T	4	4	3	3	2	2	1	3	2	2	2	2	1	1	—	—	—	—	1	1	1
M84-17535T	4	4	3	3	2	2	1	4	3	3	3	2	2	1	—	—	1	1	1	1	1
M84-21035T	4	4	4	3	2	2	1	4	3	3	3	2	2	1	—	2	2	2	1	1	1
M84-24035T	4	4	4	3	2	2	1	4	3	3	3	2	2	1	2	2	2	2	2	1	1
M84-12040L	6	5	4	4	3	3	1	3	3	3	2	2	2	1	—	—	—	—	1	1	1
M84-16040L	7	5	5	5	3	3	1	6	4	4	4	3	2	1	—	—	1	2	2	2	1
M84-20040L	7	5	5	5	3	3	1	6	5	4	4	3	3	1	—	2	3	3	2	2	1
M84-24040L	7	5	5	5	3	3	1	7	5	5	4	3	3	1	3	3	3	3	3	2	1