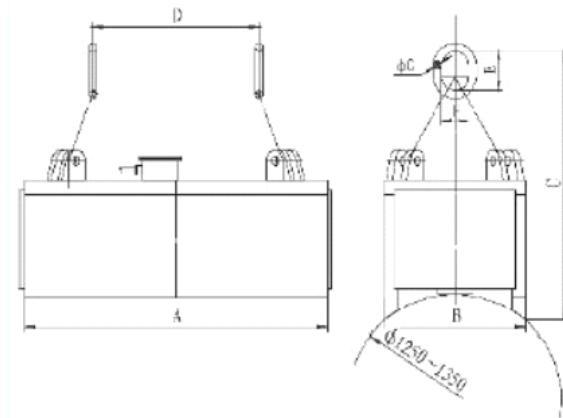


M22系列：其特殊磁極適合於不同直徑的盤圓，電磁鐵的選擇取決於盤圓的長度，如電磁鐵足夠長，則一次可沿長度方向吊運幾卷盤圓。

The special magnetic pole is suitable for coiled bar with different diameter. The choice of electromagnet depends on the length of coiled bar. If the electromagnet is long enough, it can lift several coils of coiled bar in direction of the length at a time.



常溫型技術參數 Technical data for normal temperature type

DC-220V, TD-50%

| 型號 Model   | 外形尺寸 overall dimension (mm) |     |      |      |     |     |    | 品質 Mass (kg) | 電流 Current (A) | 功率 Power (kW) |
|------------|-----------------------------|-----|------|------|-----|-----|----|--------------|----------------|---------------|
|            | A                           | B   | C    | D    | E   | F   | G  |              |                |               |
| M22-10054L | 1000                        | 540 | 1250 | 500  | 180 | 110 | 32 | 1520         | 30             | 6.6           |
| M22-16054L | 1600                        | 540 | 1210 | 600  | 180 | 110 | 32 | 2350         | 45.5           | 10            |
| M22-20054L | 2000                        | 540 | 1200 | 700  | 180 | 110 | 32 | 2480         | 58.2           | 12.8          |
| M22-26054L | 2600                        | 540 | 1220 | 800  | 210 | 125 | 40 | 3210         | 68.2           | 15            |
| M22-30054L | 3000                        | 540 | 1230 | 1000 | 210 | 125 | 40 | 3800         | 80             | 17.7          |
| M22-34054L | 3400                        | 540 | 1230 | 1200 | 210 | 125 | 40 | 4250         | 86.4           | 19            |
| M22-36054L | 3600                        | 540 | 1250 | 1300 | 250 | 175 | 50 | 4450         | 89.5           | 19.7          |
| M22-40054L | 4000                        | 540 | 1250 | 1550 | 250 | 175 | 50 | 5000         | 99.5           | 21.9          |
| M22-46054L | 4600                        | 540 | 1250 | 1800 | 250 | 175 | 50 | 5650         | 120            | 26.4          |
| M22-55054L | 5500                        | 540 | 1250 | 3000 | 250 | 175 | 50 | 7100         | 126.4          | 27.8          |