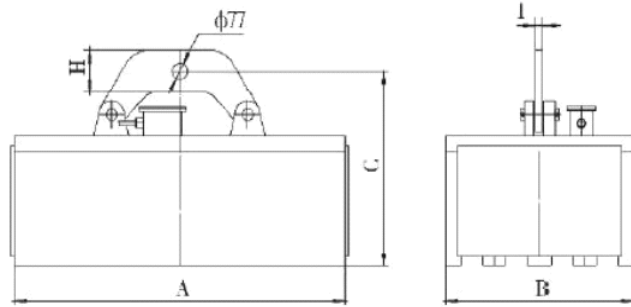


M42系列：能在狹小的吸附面積內產生強大的吸力，適用於吊運多根小方坯、軌梁，是一種高吸力型起重電磁鐵。

M42Series:It can generate strong attracting force within small attaching area.It is suitable for lifting and transporting many pieces of small square billet and track beam.It is a kind of strong attraction force type of lifting electromagnet.



主要技術參數 Main technical data

DC-220V, TD-60%

型號 Model	M42-10580L	M42-11090L	M42-12090L	M42-11090L/G	M42-170100L/G	M42-170100T/G	
外形尺寸 overall dimension (mm)	A	1050	1100	1200	1100	1668	
	B	800	900	900	900	1000	
	C	610	625	725	643	610	
	D	200					
	E	50					
品質 Mass (kg)	1710	2080	2370	2280	2700	6.9	
電流 Current (A)	26.7	31.9	37.9	26.1	34.4	31.4	
功率Power (kW)	5.76	7	8.34	5.74	7.6	6.9	
起吊能力舉例（兩臺聯用） Example for lifting capacity(combination of two units)	115×115×12500 8 根 (piece)	吸吊小方坯10000kg attract and lift small square billet 10000kg	115×115×12500 9根 (pieces)	吸吊小方坯10000kg attract and lift small square billet 10000kg	四臺聯用combination of four units 75kg重軌 (heavy) ×25000 10-12根 (pieces)	四臺聯用combination of four units 75kg重軌 (heavy) ×25000 10-12 根 (pieces)	