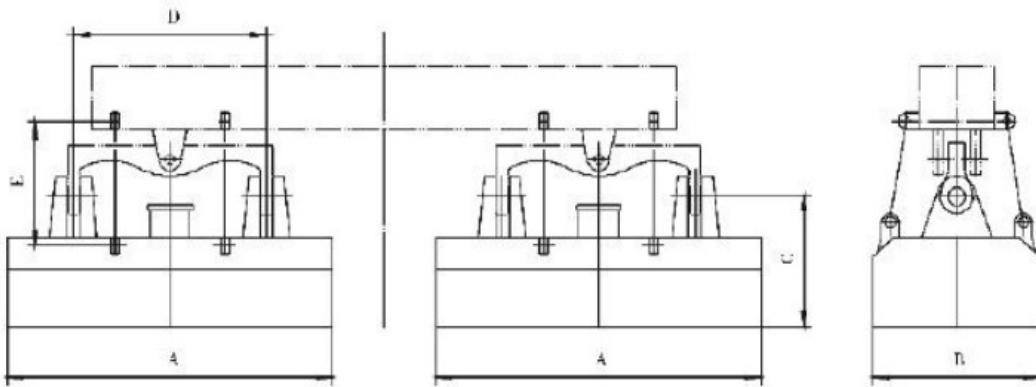


M73系列：適合於板坯上、下表面的檢查和精整時的翻轉作業，也可用於厚板和板坯的吊運。當使用導向柱的起重機時，能在吊運狀態下使板坯翻轉180度。

M73Series: Suitable for checking the upper and lower surfaces of plate blank and performing tumbling operation when finishing, also for lifting and transporting thick plate and plate blank, when using crane of guide pillar, the electromagnet can make plate blank tumble turn 180° under the condition of lifting and transporting.



主要技術參數 Main technical data

DC-220, TD-50%

型號 Model	M73-7540L/2	M73-10055L/2	M73-15065L/2	M73-20090L/2	M73-140110L/2	M73-200130L/2
外形尺寸 overall dimension (mm)	A	750	1000	1500	1900	2000
	B	400	550	650	900	1300
	C	500	490	570	730	580
	D	420	530	700	1000	1000
品質 Mass (kg)	500	1000	1870	3300	2575	3500
電流current (A)	10	11.2	19.8	27.3	17.1	34
功率power (kw)	2.2	2.5	4.4	6	3.77	7.5
單臺吊運能力 (t) Lifting capacity of one unit	6	10	15	40	28	45