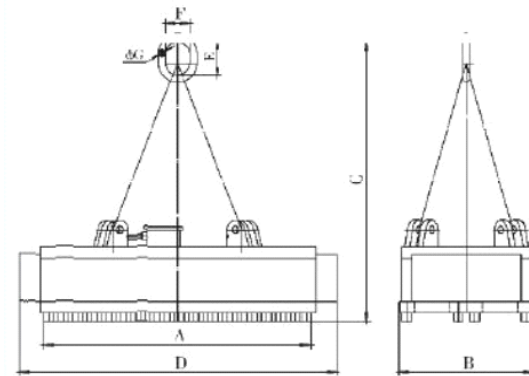


M92系列：電磁鐵的磁極內裝有可動磁極塊，在與被吸物接觸後能自由伸縮，可得到最大的接觸面積，適用於起吊多根高低參差不齊的初軋坯、管坯以及交錯排列的鑄錠。

M92 Series: The movable magnetic-pole block, which is installed in magnetic-pole of electromagnet, can stretch out and draw back freely after contacting the attached material. Consequently it can obtain the maximum contacting area. It is suitable for lifting many pieces of different length of blooming billets, pipe billets and stagger arrangement cast ingots.



主要技術參數 Main technical data

DC-220V, TD-50%

型號 Model		外形尺寸 overall dimension (mm)							品質 Mass (kg)	電流 Current (A)	功率 Power (kW)	吊運能力 長度 (m) × 根數 Lifting capacity length(m) × number of piece			
		A	B	C	D	E	F	G				110×110 (mm)	130×130 (mm)	150×150 (mm)	200×200 (mm)
常溫型 normal temperature type	M92-10060L	1000	600	1180	1200	200	125	45	970	20.6	4.58	4×8	3.4×6	3×5	2.2×4
	M92-14060L	1400	600	1200	1610	200	125	38	1248	32.4	7.13	4×11	3.4×9	3×8	2.2×6
	M92-16065L	1600	650	1100	1800	200	125	45	1740	36.4	8	5×13	4.3×11	3.7×10	2.7×7
	M92-19065L	1900	650	1246	2100	250	175	50	1996	45.5	10	5×16	4.3×14	3.7×12	2.7×9
	M92-21070L	2100	700	1300	2300	250	175	50	2800	45.5	10	6×18	5×15	4×13	3.3×10
高溫型 high temperature type	M92-10060L/G	1000	600	1000	1200	200	125	38	1160	14.9	3.3	4×8	3.4×6	3×5	2.2×4
	M92-12084L/G	1200	840	1050	1510	220	125	38	1580	18.5	4.07	4×10	3.4×9	3×8	2.2×6
	M92-14060L/G	1400	600	1025	1610	200	125	38	1300	25	5.5	4×11	3.4×9	3×8	2.2×6
	M92-16065L/G	1600	650	1200	1800	200	125	38	1800	30.5	6.7	5×13	4.3×11	3.7×10	2.7×7
	M92-16090L/G	1600	900	1300	1860	250	175	45	3650	25.7	5.65	5×14	4.3×11	3.7×10	3×7
	M92-19065L/G	1900	650	1300	2100	250	175	50	2100	36.4	8	5×16	4.3×14	3.7×12	2.7×9
	M92-21070L/G	2100	700	1400	2300	250	175	50	3000	36.4	8	5×18	5×15	4.5×13	3.3×10